

900 DIGITAL POST, MAIL & SHIPPING SCALE

High performance post, mail & shipping scale designed for demanding shipping environments.

Technical Specification



DESCRIPTION

The ZP900 is a highly accurate digital post, mailing and shipping scale. This high speed, high performance shipping scale will display and transmit data and integrate with back office to POS systems. It provides the flexibility needed to manage vital weight data within your operation.

Features the very latest Quartzell™ technology to guarantee speed and accuracy. Communicates via RS232, or optional USB-HID and Ethernet, allowing easy integration into existing third party software systems used around the world.

SPECIFICATIONS

GENERAL

Connectivity	2 x RS232 Bi-directional Optional 2 x USB HID (Mini USB) 1 x Ethernet port (server only)
Display Options	Up to 2 active displays: One weight indicator and one remote display. Options available are base mounted display, pole mounted display, pole mounted dual display and desk mount displays
Supported Protocols	SMA, NCI, ECR and D901
Operating Systems	USB HID supports OPOS & UPOS on Microsoft operating systems with Windows XP, Windows 7 and Windows 8. Serial RS232 communication also available
Unit of Measure	1 unit of measure is standard in lb or kg. A 2nd unit of measure in lb, kg, grams, oz or lb-oz can be enabled
Capacity Selections	Two main base capacities available, 70 lb (35 kg) and 150 lb (80 kg) both using single or multi-range operation. Configurable up to 3 ranges with resolution up to 10,000 divisions per range



GENERAL

Incremental Selections	Multiples of 1, 2 or 5 with division size starting at 0.001
Metrology Selections	Capacity, Division Size, Units of Measure, Motion, Auto Zero Tracking (AZT), Filtering, Initial and Operating Zero Range, Over/Under Capacity Ranges, Multi-Range/Interval Operation and Normal Scale/Weight Classifier Rounding
Time and Date	Battery back up time/day/year (12 hour or 24 hour format)
Calibration	Two to five points stored calibration with Gravity Compensation and Initial Start-Up Gravity adjustment prompting All metrology data stored directly in the base
Digital Filtering	Harmonizer filtering available for unstable installations
Self Diagnostics	Display, keys, serial ports, digital scale readings (crystal counts and compression and tension frequencies)

USER INTERFACE

Keypad	ZERO, F1 and four navigation keys
Status Annunciators	Zero, Motion, Gross, Battery Status, Weight Range 1/2/3, lb, kg, alternate unit of measure, optional Ethernet activity
Display	IBN illuminated, 0.5" (13 mm) high 7 segment 7-digit, green on black background for high contrast and wide angle viewing
Displayed Resolution	Agency approved up to 10,000 divisions per range with up to 3 range settings
Display Rate	Selectable 1, 2, 5, or 10 times per second



Desk-mount displays
Operator and Customer

Pole-mount displays
single or double-sided

Base-mount
Operator Display

PHYSICAL / ENVIRONMENTAL

Base Enclosure	Robust aluminum die cast housing fitted with lipped stainless steel weight platter that is securely fixed to the base. The base is also fitted with four adjustable anti-slip feet standard
Display Enclosures	ABS plastic
Load Cell Technology	High accuracy digital Quartzell
Operating Temperature	41° F to 104° F / +5° C to 40° C (Approvals) at 10 to 90% humidity -4° F to 140° F / -20° C to 60° C (industrial) at 10 to 90% humidity
Return to Zero Speed	Stable Zero using up to 10% capacity 1.20 seconds ; 10% to full capacity 1.40 seconds
Humidity	10% to 90% relative, non-condensing
Base Construction	Clam shell base design with a centrally positioned suspended digital Quartzell cell
Overload Protection	Up to 1100% overload protection based off the 80 kg base structure via our patented spring protection system
Corner Loading	100%
IP Protection	Designed to meet IP31

BASE CAPACITY/RESOLUTION

Base Size	Imperial Capacity and Resolution Available			Metric Capacity and Resolutions Available			
	Max1/d1	Max2/d2	Max3/d3	Max1/d1	Max2/d2	Max3/d3	
9" x 12" (230 mm x 305 mm) 70 lb / 35 kg base				10 kg x 1 g			
				20 kg x 2 g			
		70 lb x 0.01 lb		30 kg x 5 g			
		0-10 lb / 0.002 lb	0-70 lb / 0.01 lb	35 kg x 5 g			
		0-10 lb / 0.002 lb	0-30 lb / 0.005 lb	0-70 lb / 0.01 lb	0-5 kg / 0.001 kg	0-30 kg / 0.005 kg	
				0-6 kg / 0.001 kg	0-30 kg / 0.005 kg		
				0-6 kg / 0.001 kg	0-20 kg / 0.002 kg	0-30 kg / 0.005 kg	
		70 lb x 0.2 oz		0-6 kg / 0.001 kg	0-20 kg / 0.002 kg	0-35 kg / 0.005 kg	
		0-10 lb x 0.05 oz	0-70 lb / 0.2 oz	0-6 kg / 0.001 kg	0-35 kg / 0.005 kg		
12" x 14" (305 mm x 350 mm) 70 lb / 35 kg base				10 kg x 1 g			
				20 kg x 2 g			
		70 lb x 0.01 lb		30 kg x 5 g			
		0-10 lb / 0.002 lb	0-70 lb / 0.01 lb	35 kg x 5 g			
		0-10 lb / 0.002 lb	0-30 lb / 0.005 lb	0-70 lb / 0.01 lb	0-5 kg / 0.001 kg	0-30 kg / 0.005 kg	
				0-6 kg / 0.001 kg	0-30 kg / 0.005 kg		
				0-6 kg / 0.001 kg	0-20 kg / 0.002 kg	0-30 kg / 0.005 kg	
				0-6 kg / 0.001 kg	0-20 kg / 0.002 kg	0-35 kg / 0.005 kg	
		70 lb x 0.2 oz		0-6 kg / 0.001 kg	0-35 kg / 0.005 kg		
		0-10 lb / 0.05 oz	0-70 lb / 0.2 oz				
12" x 14" (305 mm x 350 mm) 150 lb / 80 kg base				50 kg x 5 g			
				80 kg x 10 g			
		100 lb x 0.01 lb					
		150 lb x 0.02 lb					
		0-10 lb / 0.005 lb	0-100 lb / 0.01 lb		0-5 kg / 0.002 kg	0-50 kg / 0.005 kg	
		0-10 lb / 0.005 lb	0-150 lb / 0.02 lb		0-5 kg / 0.002 kg	0-75 kg / 0.010 kg	
		0-10 lb / 0.005 lb	0-100 lb / 0.01 lb	0-150 lb / 0.02 lb	0-20 kg / 0.002 kg	0-50 kg / 0.005 kg	0-80 kg / 0.01 kg
		0-10 lb / 0.1 oz	0-100 lb / 0.2 oz		0-20 kg / 0.002 kg	0-80 kg / 0.01 kg	
		0-10 lb / 0.1 oz	0-150 lb / 0.5 oz				
		0-10 lb / 0.1 oz	0-150 lb / 0.5 oz	0-150 lb / 0.5 oz			
	100 lb x 0.2 oz						
	150 lb x 0.5 oz						

ELECTRICAL

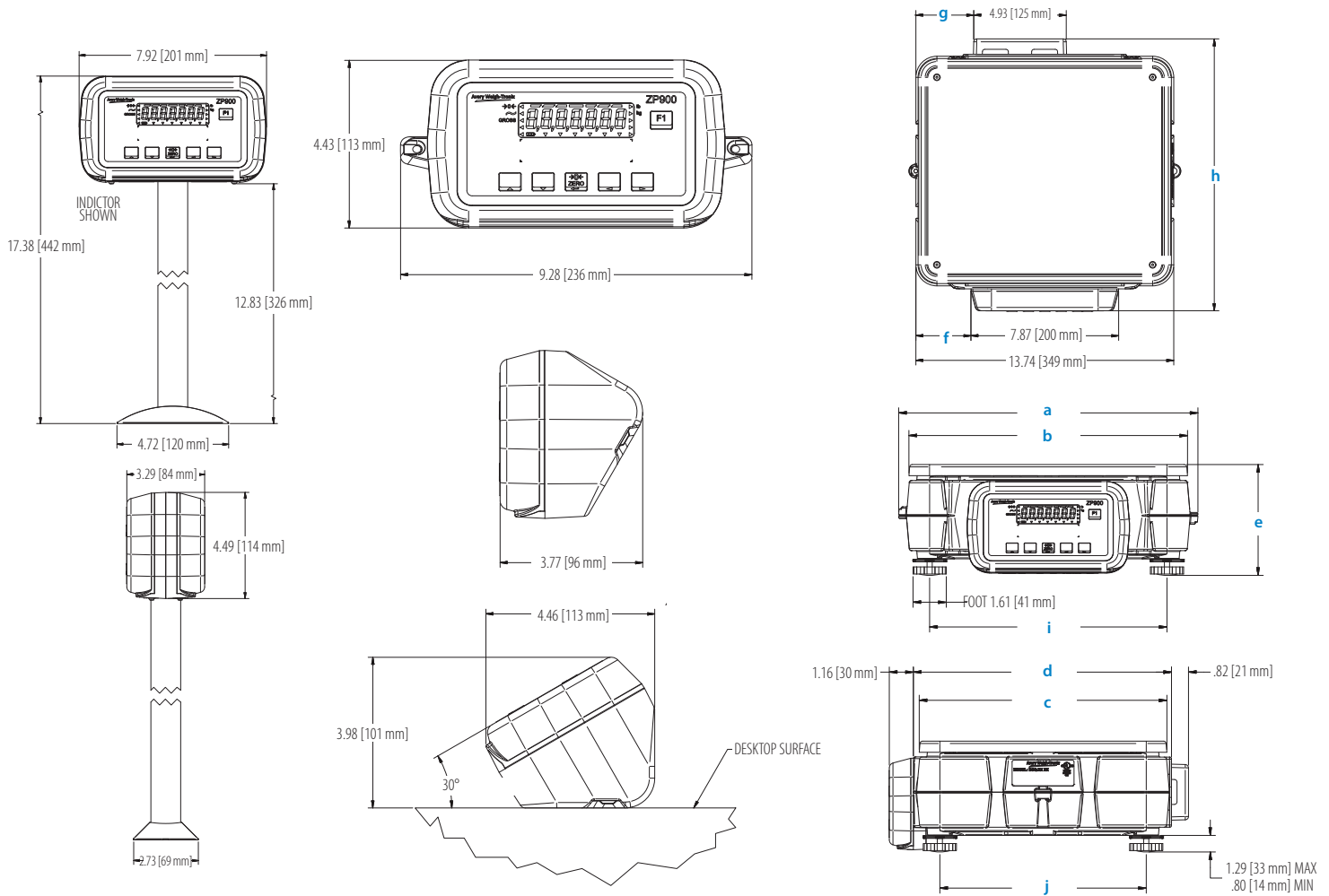
Circuitry Protection	RFI, EMI and ESD protection
-----------------------------	-----------------------------

OPTIONS

Ball Top Option	Designed to fit on the 12" x 14" (305 mm x 355 mm) base, this 10 ball stainless steel ball top makes it ideal to roll heavy boxes on and off the scale
Carry Handles	Optional carry handles can be retro fitted to allow the scale base to be easily carried around
Counter Lock Down Plate	Bolt down plate to stop the scale base from being moved from the counter
USB Option	2 USB ports to communicate to 2 PCs
Ethernet Option	1 Ethernet port to communicate to 1 PC
Internal Battery Option	Battery pack mounted on the rear of the base with internal recharger. 20 hours operation between charges (charge time 4 hours)



ZP900 POST & SHIPPING SCALE *Technical Specification*



DIMENSIONS (inches)

Base Size	a	b	c	d	Max Min		f	g	h	i	j
					Max	Min					
9" x 12"	13.00	12.00	9.00	9.50	5.75	5.27	2.18	2.33	11.50	10.00	7.00
12" x 14"	14.50	13.50	12.00	12.50	5.86	5.37	2.93	3.08	14.50	11.50	10.00

DIMENSIONS (millimeters)

Base Size	a	b	c	d	Max Min		f	g	h	i	j
					Max	Min					
230 mm x 305 mm	330	305	228	241	146	134	55	59	292	254	178
305 mm x 350 mm	368	343	305	318	149	136	75	78	368	292	254

APPROVALS

Agencies
*pending

10,000d NTEP up to 3 multi-range (Certificate No 15-028)
10,000 Canadian AM* approval multi-range
10,000d EC* /OIML* multi-range



Measurement
Canada Approved

Avery Weigh-Tronix

www.averyweigh-tronix.com

Avery Weigh-Tronix is an ITW company



Avery Weigh-Tronix is a trademark of the Illinois Tool Works group of companies whose ultimate parent company is Illinois Tool Works Inc ("Illinois Tool Works"). Copyright © 2015 Illinois Tool Works. All rights reserved. This publication is issued to provide outline information only and may not be regarded as a representation relating to the products or services concerned. This publication was correct at the time of going to print, however Avery Weigh-Tronix reserves the right to alter without notice the specification, design, price or conditions of supply of any product or service at any time.

zp900series_spec_UK_501423.indd
V1 AWT35-501423