

## ZM155 INDICATOR

Indicator and peripherals  
for explosion proof  
applications

[Technical Specification](#)



## DESCRIPTION

The ZM155 FM approved indicator is the perfect fit for all applications from simple weighing or filling to advanced applications that utilize one of the ZM200, ZM300, ZM4/5/6 Indicators in the safe area to manage data and display user information.

## SPECIFICATIONS

### GENERAL

<b>Operating Applications</b>	General weighing, safe area interface, and other applications upon request
<b>Calibration</b>	2-4 point
<b>Units of Measure</b>	lb, kg, configurable (g, oz, ton)
<b>Capacity Selection</b>	1 to 9,999,999
<b>Configurable Settings</b>	AZT, motion and zero range
<b>Internal Resolution</b>	Four million counts max. (internal)
<b>Digital Filtering</b>	Ambient and application filter

## USER INTERFACE

<b>Keypad</b>	28 chemical resistant polyester
<b>Operational Keys</b>	On/Off, Clear Function, Reference, OK, Toggle, Info, Scale Select, Zero, Tare, Function, ISO-Test, Print, 0-9, Decimal, ID, x10 Expanded Resolution, B/G Net
<b>Status Annunciators</b>	Bar Graph, Print, Scale Range, WP 1 or 2, B/G Net, Battery Status, Units, MEM, Auto/OPT, Center Zero, and Application Specific
<b>Display</b>	20 mm LCD, 14 segment, 7 digit, plus status symbols, back lit

## PHYSICAL

<b>Operating Temperature</b>	Compliance with legal-for-trade requirements 14° to 104° F / -10° to 40° C Up to 85% relative humidity, non-condensing
<b>Enclosure</b>	304 brushed stainless steel IP69K, NEMA type 4X
<b>Weight</b>	5.0 lb / 2.3 kg
<b>Dimensions</b>	See drawings

## INPUT/OUTPUT

<b>Communications</b>	Comm 1: RS232, RS422, RS485 standard Comm 2: Optional unicom - RS232, RS422, RS485
<b>Circuitry Protection</b>	RFI, EMI, and ESD protection

## ELECTRICAL

<b>Power Requirements</b>	Via external power supply or battery
<b>Excitation</b>	2.5 VDC
<b>Analog Signal Input Range</b>	0 mV to 7.5 mV
<b>Analog Signal Sensitivity</b>	0.2 µV/divisions recommended 0.02 µV/divisions minimum for non-legal

## OPTIONS

<b>ZM155-PSU-H</b>	Hazardous area AC PSU, 100-240 VAC, 60 Hz
<b>ZM155-PSU-S</b>	Safe area AC PSU, 100-240 VAC, 60 Hz
<b>ZM155-BAT</b>	Battery Pack
<b>ZM155 Charger</b>	Battery charger
<b>ZM155-COM</b>	Communications barrier box
<b>Wall Mount Kit</b>	
<b>Dust Cover</b>	

## INGRESS PROTECTION

<b>ZM155</b>	IP69K
<b>ZM155-PSU-H</b>	IP65
<b>ZM155-PSU-S</b>	IP40
<b>ZM155-BAT</b>	IP65 (IP23 when charging port is open)
<b>ZM155-COM</b>	IP40

## APPROVALS

<b>Agencies</b>	NTEP - Pending Factory Mutual
-----------------	----------------------------------



### ZM155 Indicator:

Hazardous (Classified) Location  
Class I, II, III, Division 1, Groups A, B, C, D, E, F, G  
Class I, Zone 1, Groups IIA, IIB, IIC  
Zone 21

### ZM155-BAT:

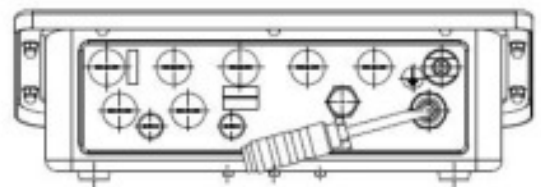
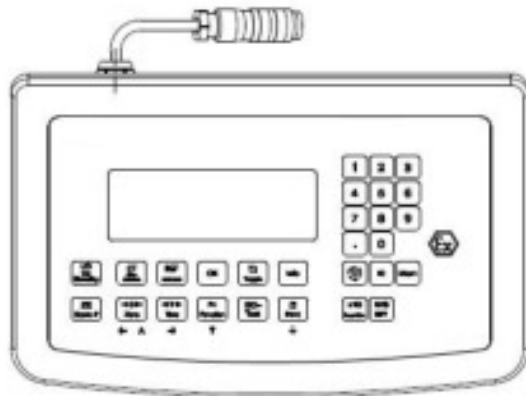
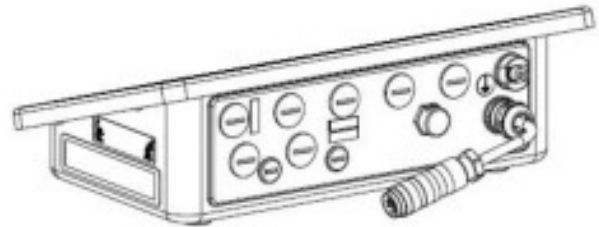
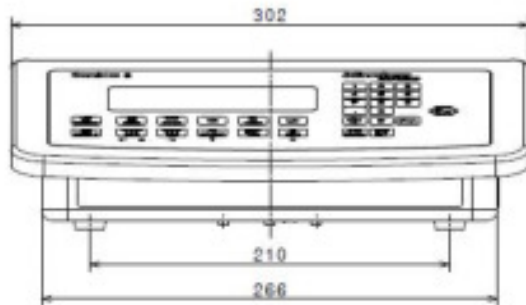
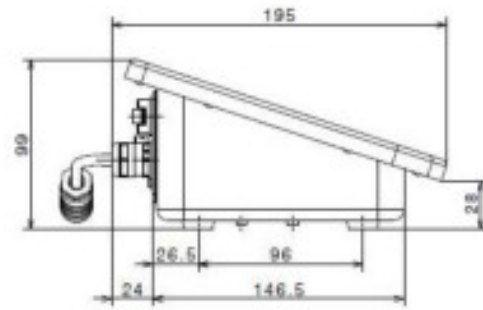
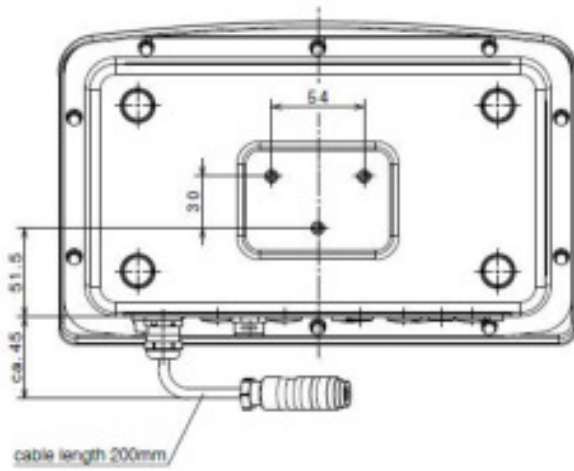
Hazardous (Classified) Location  
Class I, II, III, Division 2, Groups A, B, C, D, F, G, T4  
Class I, Zone 1, Group IIC  
Class II, Zone 20

### ZM155-PSU-H:

Hazardous (Classified) Location  
Class I, II, III, Division 1, Groups A, B, C, D, E, F, G

**Note:** With reference to the ZM155-BAT, distributing or selling this product in California could subject you to fines or other penalties.

## DIMENSIONS



**Avery Weigh-Tronix**

[www.averyweigh-tronix.com](http://www.averyweigh-tronix.com)

*Avery Weigh-Tronix is an ITW company*



Avery Weigh-Tronix is a trademark of the Illinois Tool Works group of companies whose ultimate parent company is Illinois Tool Works Inc. ("Illinois Tool Works"). Copyright © 2019 Illinois Tool Works. All rights reserved. This publication is issued to provide outline information only and may not be regarded as a representation relating to the products or services concerned. This publication was correct at the time of going to print, however Avery Weigh-Tronix reserves the right to alter without notice the specification, design, price or conditions of supply of any product or service at any time.

zm155\_spec\_501877.indd  
V1 AWT35-501877