



Valor™ 3000 Xtreme

Compact Precision Scales



Rugged, full stainless steel design in a high performance, easy-to-use, portable scale.

The Valor™ 3000 Xtreme Compact Precision Scale continues the OHAUS tradition of building high quality, durable products that are easy to use and hard to beat. The Valor 3000 Xtreme takes these OHAUS virtues to a new level by offering high precision 20,000d readability, durability, and ease-of-use, encased in a sleek and fully stainless steel compact housing. Washdown versions ensure that the Valor 3000 Xtreme meets the needs of even the most demanding environments.

Standard Features Include:

- **Extreme Design** – Full stainless steel housing with added chemical resistance and removable stainless steel weighing pan are durable and easy to clean (*NEMA 4X/IP65 water resistant models available*)
- **Extreme Protection** – Technically advanced overload protection rated at 10x capacity is ideal for tough environments where capacity is frequently exceeded
- **Extreme Performance** – The Valor 3000 Xtreme offers resolutions up to 20,000d and 0.01g, providing precise measurements in demanding environments. User adjustable filtering and stability settings allow the Valor 3000 Xtreme to operate accurately in drafty and unstable conditions
- **Extremely Friendly** – OHAUS' SmarText™ user interface utilizes a bright backlit LCD and simple text prompts to guide users through application use and scale setup, making the Valor 3000 Xtreme very easy to use

Valor™ 3000 Xtreme Compact Precision

Extreme Design

Extreme design means OHAUS took a clean sheet design and focused on offering the most durable and portable portioning product available. The Valor 3000 Xtreme is the highest precision scale in its class with complete stainless steel construction – both top and bottom housings are made of T304 stainless steel.



For use in wet applications, the Valor 3000 Xtreme offers an even higher level of protection by offering full NEMA 4X/IP65 water resistant models. All Valor 3000 Xtreme models are USDA-AMS accepted, NSF listed/certified, and will support a HACCP certified system. Valor 3000 Xtreme is battery powered for maximum portability and convenience. Valor 3000 Xtreme features QuadraStance™, with four wide adjustable feet to ensure that the scale stays ultra-secure and slip free during operation in wet or dry conditions, on any surface.



Extreme Overload and Shock Protection

All OHAUS products are designed to be the most rugged and durable products on the market, and the Valor 3000 Xtreme is no exception. Leveraging the advanced overload and shock resistance technology found in the Scout® Pro, OHAUS designed the Valor 3000 Xtreme's overload protection system to provide ten times capacity overload protection. This extreme overload protection makes each Valor 3000 Xtreme ideal for tough environments where scale capacity is exceeded regularly.

Extreme Performance

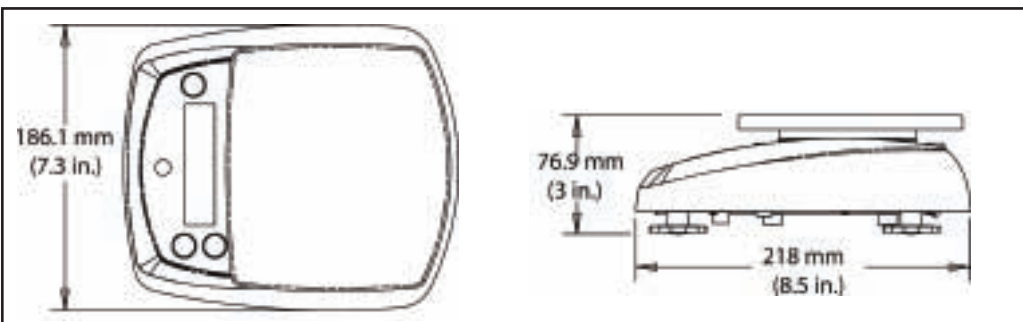
The Valor 3000 Xtreme has a rugged design, combined with high precision weighing cells offering resolutions up to 20,000d. Every scale has user adjustable stability, filtering and auto zero settings allowing Valor 3000 Xtreme to operate in drafty and unstable environments.

Extremely Friendly

Every Valor 3000 Xtreme is designed with OHAUS' SmarText™ interface that utilizes a bright backlit LCD and simple English text prompts to guide users through application use and scale setup.



Outline Dimensions



Application Modes

The Valor 3000 Xtreme series is loaded with software specifically designed for simple use and maximum throughput. Application modes include:

Percentage Weighing – This mode is great for compounding, mixing ingredients and formulation allowing users to compare the weight of a sample as the percentage of a reference weight. This function allows for quick portioning and checking of multiple samples against a target, and for quickly preparing multiple samples of the same size. The Valor 3000 Xtreme can automatically compute Baker's Percentages, eliminating guesswork and speeding use.



Specific Gravity Determination – This mode is perfect for rapidly and easily determining the specific gravity of a sample without the need for manual calculations. Not only can this be critical in materials testing, it is also useful for checking aeration of mixes for food processing and foodservice applications.

Other Standard Features

AC Power Standard

The included AC adapter provides continuous power, and the convenient stow-away plug keeps moisture out when not in use



Stainless Steel Housing and Weighing Pan

Easy to wipe clean and keep sanitary. NSF listed/certified and USDA-AMS accepted, Valor 3000 Xtreme supports HACCP compliance



Long Battery Life

Valor 3000 Xtreme will run up to 100 hours with four C-type batteries



NEMA 4X/IP65 Housing

Valor 3000 Xtreme W is perfect for use in wet and damp environments



Bright Backlit Display

Weighing results are clearly shown on the bright backlit display with large easy-to-read digits

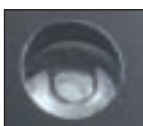


SmarText™ Software

OHAUS' easy-to-use interface guides you through setup and applications such as Percentage Weighing and Specific Gravity modes with a simple push of the button



Up Front Level Bubble



A glance at the level bubble (XW models only) ensures easy leveling and superior stability

Adjustable Feet with Level Bubble

OHAUS QuardraStance™ offers four rugged adjustable feet to help prevent slippage on wet or uneven surfaces



